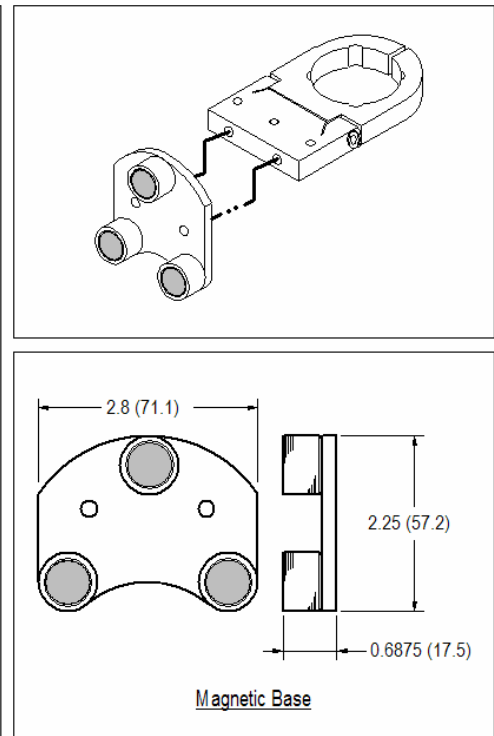
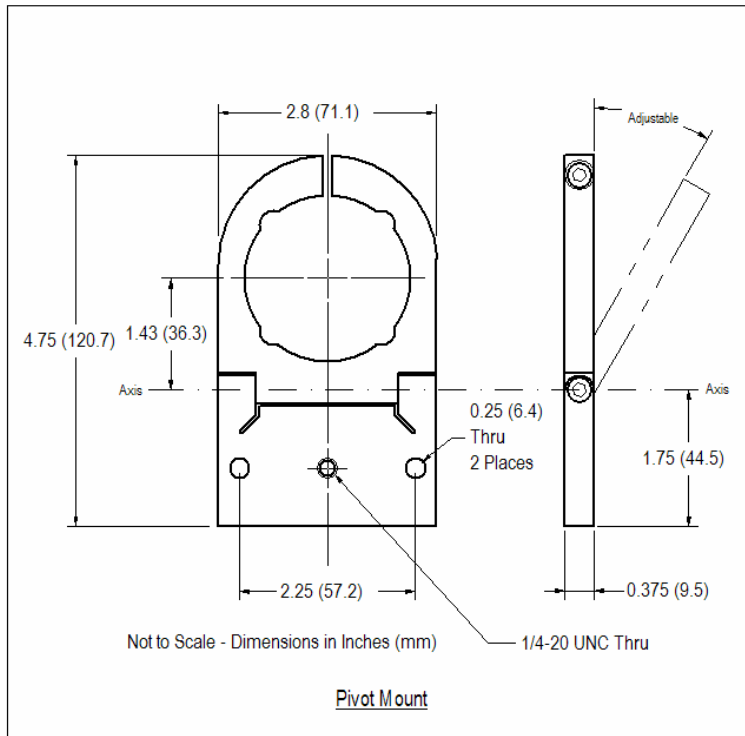


The Adjustable Magnetic Mount enables quick and versatile setup of the DRS1000 Delta Speed Sensor. The pivoting clamp can be secured at a wide range of offset angles. The speed sensor can be attached quickly to vehicles or other metallic surfaces with the magnetic base or fastened more permanently using holes on the pivot mount.

Features

- 180° adjustable pivot with locking screw
- Ring clamp holds sensor securely
- Three neodymium rare earth magnets provide up to 130 lb (59 kg) attachment force ¹
- Anodized aluminum
- Two 1/4 inch mount holes
- 1/4-20 threaded hole (can be used for tripod mount)



¹ Maximum magnetic pull achieved on flat, clean, thick, ferrous metal surfaces

Contact Information:

GMH Engineering
336 Mountain Way
Orem, UT 84058

(801) 225-8970
FAX: (801) 225-9008
www.gmheng.com