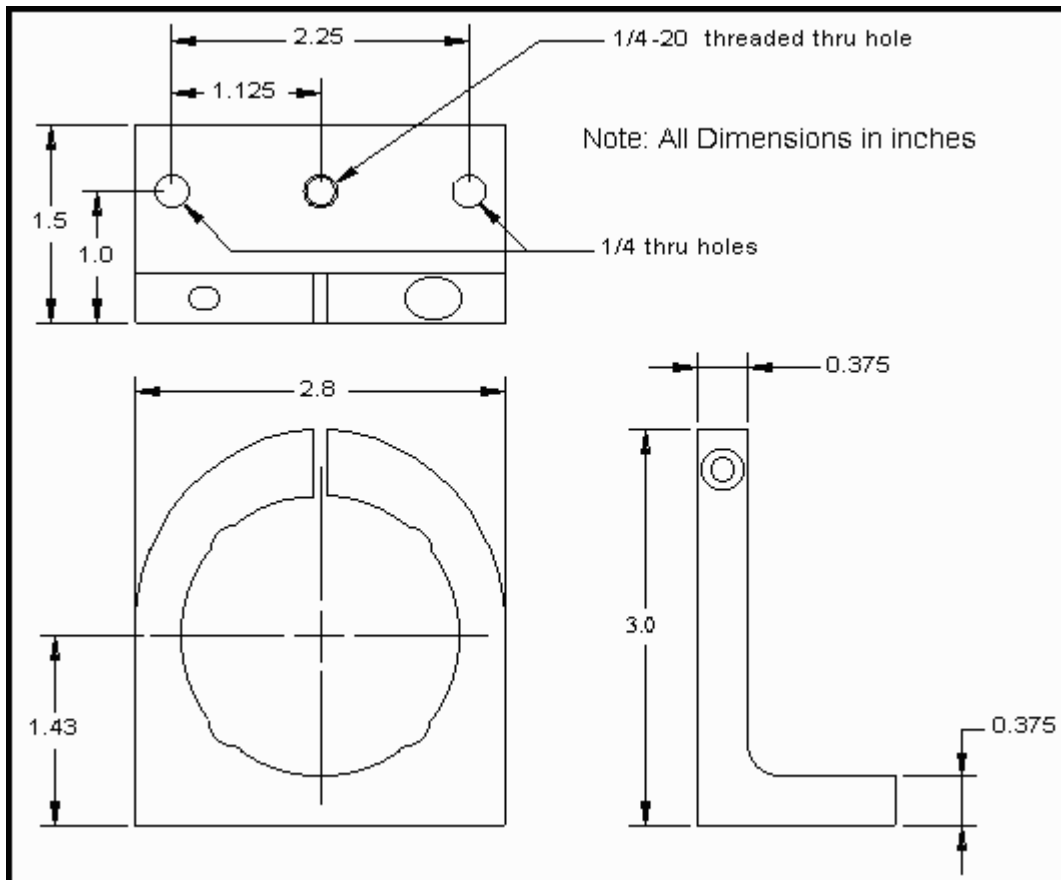


The Speed Sensor Mount provides secure location of the DRS1000 Delta Speed Sensor. The speed sensor can be attached to vehicles or structures using threaded or thru holes on the pivot mount.

### Features

- Ring clamp holds sensor securely
- Anodized aluminum
- Two 1/4 inch mount holes
- 1/4-20 threaded hole (tripod mount point)



### Contact Information:

GMH Engineering  
336 Mountain Way  
Orem, UT 84058

(801) 225-8970  
FAX: (801) 225-9008  
www.gmheng.com